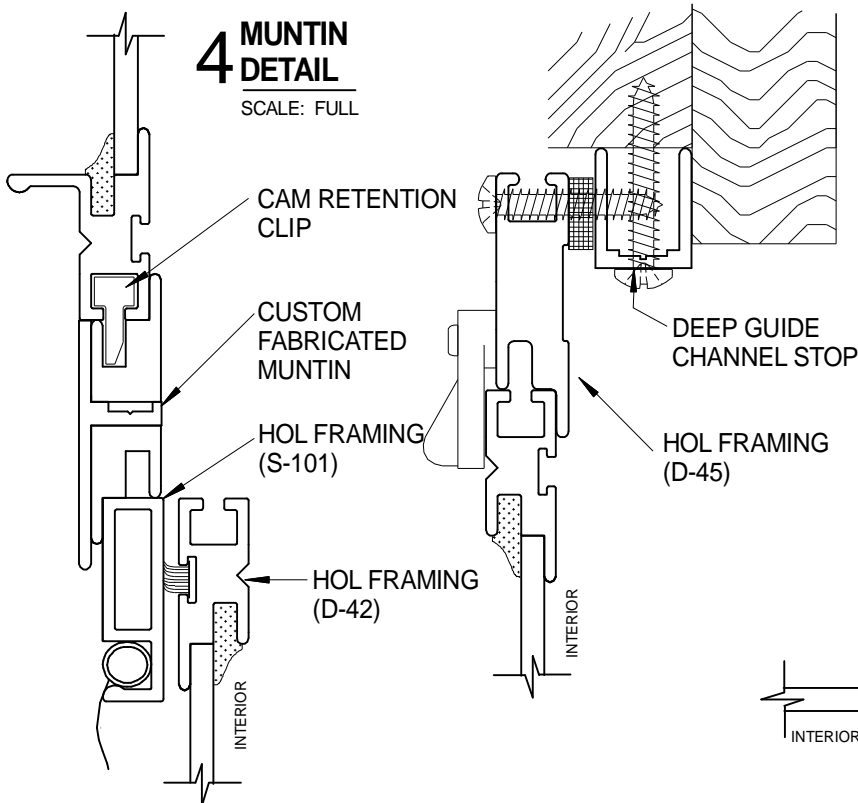


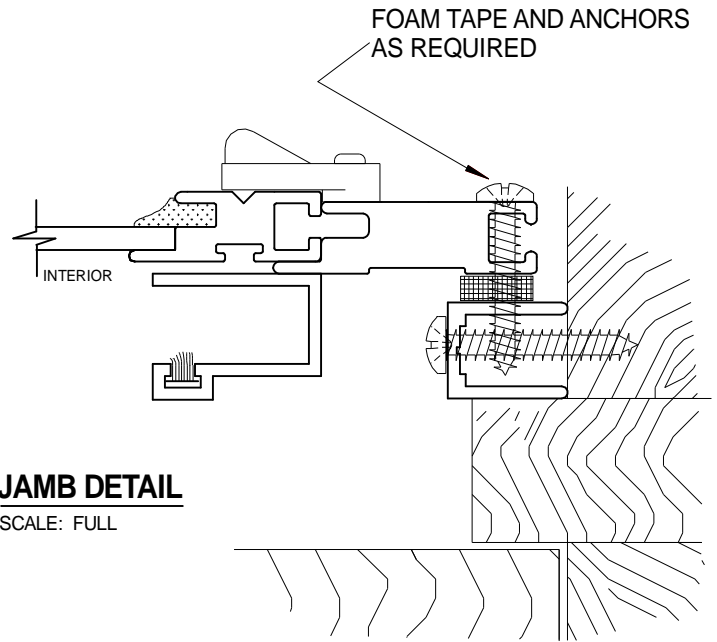
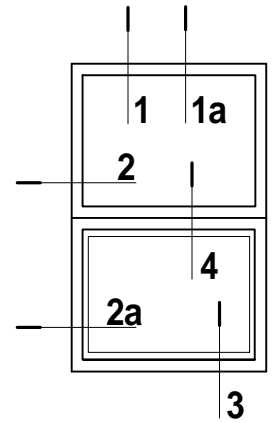
4 MUNTIN DETAIL

SCALE: FULL



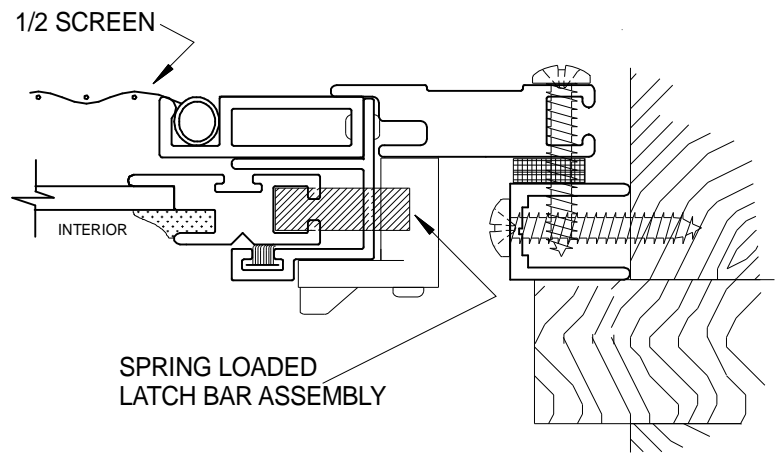
1 HEAD DETAIL

SCALE: FULL



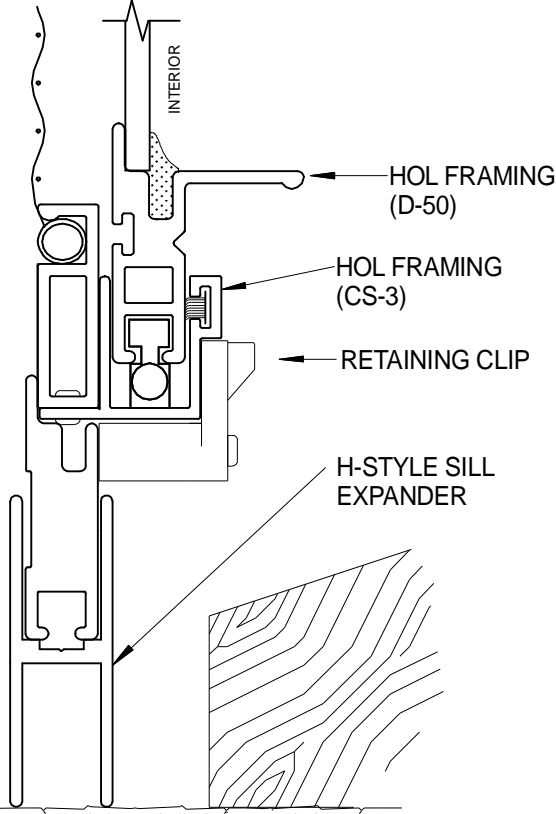
2 JAMB DETAIL

SCALE: FULL



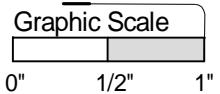
2a JAMB DETAIL

SCALE: FULL



3 SILL DETAIL

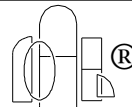
SCALE: FULL



PRODUCT
 HISTORIC ONE LITE - OPERATING • HOL-OP-TOR
 TOP OUTSIDE REMOVABLE
 WITH SCREEN

11111 CANAL ROAD • CINCINNATI, OH 45241 • PH: 800-445-5411, 513-559-1212 • FAX: 513-559-1883 • www.alliedwindow.com • info@alliedwindow.com

DWG. NO.
H-7



Allied Window
 Performance Panels®